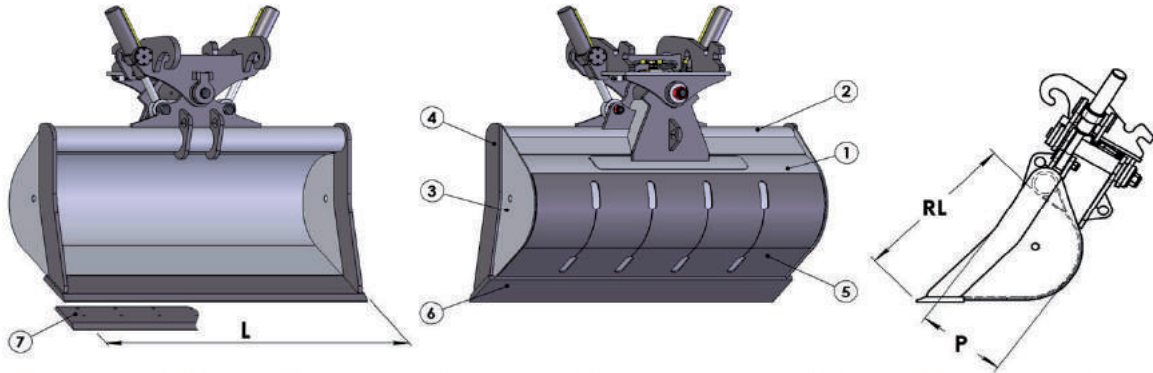


**BENNA ORIENTABILE MODELLO OLANDA per escavatori**  
**SWIVELING BUCKET HOLLAND PROFILE for excavators**  
**GODET CURAGE INCLINABLE GRANDE CAPACITE' pour pelles**  
**CAZO ORIENTABLE MODELO "OLANDA" para excavadoras**  
**SCHWENKLÖFFEL HOLLAND PROFIL für Bagger**



Classe Class	Codice Code	L mm.	Cap. SAE Lt.	Cilindri n° Cylinders	Peso Kg. Weight	RL mm.	P mm.	Listino € Price List	Sottolama € Bolt on blade
T.45 5,3 - 7,0 ton	T45ORO140	1400	288	2	403	588	323	/	/
	T45ORO150	1500	310	2	417			/	/
	T45ORO160	1600	334	2	430			/	/
		1	2	3	4	5	/	6	7 Optional
Materiale	Material	S355	S355	S355	Hardox 400	S355	/	HB 400	HB 400
Spessore	Thickness	6 mm	114.3 x 12.5 mm	5 mm	15 mm	6 mm	/	200 x 20 mm	200 x 20 mm

Classe Class	Codice Code	L mm.	Cap. SAE Lt.	Cilindri n° Cylinders	Peso Kg. Weight	RL mm.	P mm.	Listino € Price List	Sottolama € Bolt on blade
T.48 - T.50 7,1 - 12,5 ton	T48ORO140	1400	348	2	428	649	358	/	/
	T48ORO150	1500	375	2	440			/	/
	T48ORO160	1600	403	2	456			/	/
	T48ORO180	1800	458	2	483			/	/
	T48ORO200	2000	513	2	510			/	/
		1	2	3	4	5	/	6	7 Optional
Materiale	Material	S355	S355	S355	Hardox 400	S355	/	HB 400	HB 400
Spessore	Thickness	6 mm	114.3 x 12.5 mm	8 mm	15 mm	6 mm	/	200 x 20 mm	200 x 20 mm

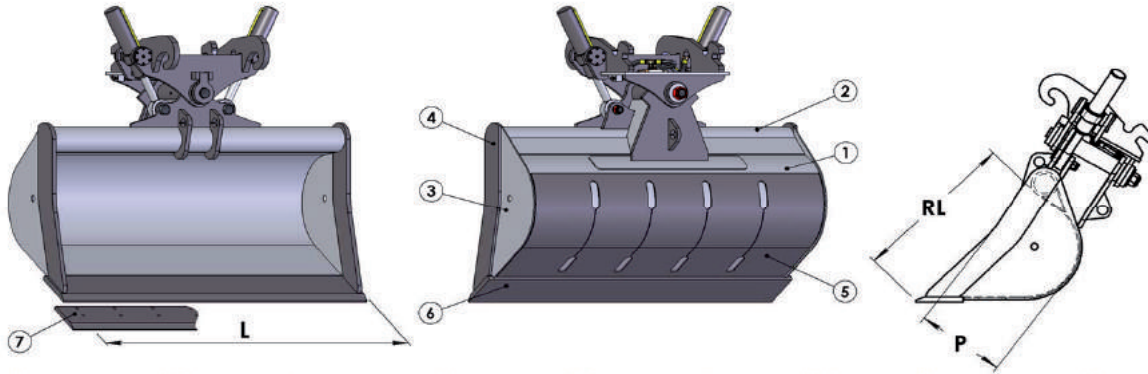
Classe Class	Codice Code	L mm.	Cap. SAE Lt.	Cilindri n° Cylinders	Peso Kg. Weight	RL mm.	P mm.	Listino € Price List	Sottolama € Bolt on blade
T.55 12,5 - 16 ton	T55ORO150	1500	585	2	730	830	445	/	/
	T55ORO160	1600	629	2	750			/	/
	T55ORO180	1800	717	2	790			/	/
	T55ORO200	2000	805	2	832			/	/
	T55ORO220	2200	893	2	873			/	/
		1	2	3	4	5	/	6	7 Optional
Materiale	Material	S355	S355	S355	Hardox 400	S355	/	HB 400	HB 400
Spessore	Thickness	8 mm	127 x 14.2 mm	8 mm	20 mm	8 mm	/	250 x 25 mm	250 x 25 mm

Classe Class	Codice Code	L mm.	Cap. SAE Lt.	Cilindri n° Cylinders	Peso Kg. Weight	RL mm.	P mm.	Listino € Price List	Sottolama € Bolt on blade
T.60 16 - 19 ton	T60ORO150	1500	677	2	753	900	473	/	/
	T60ORO160	1600	730	2	775			/	/
	T60ORO180	1800	832	2	820			/	/
	T60ORO200	2000	935	2	862			/	/
	T60ORO220	2200	1038	2	905			/	/
		<b>1</b>	<b>2</b>	<b>3</b>	<b>4</b>	<b>5</b>	<b>/</b>	<b>6</b>	<b>7 Optional</b>
<b>Materiale</b>	<b>Material</b>	S355	S355	S355	Hardox 400	S355	/	HB 400	HB 400
<b>Spessore</b>	<b>Thickness</b>	8 mm	127 x 14.2 mm	8 mm	20 mm	8 mm	/	250 x 25 mm	250 x 25 mm

Classe Class	Codice Code	L mm.	Cap. SAE Lt.	Cilindri n° Cylinders	Peso Kg. Weight	RL mm.	P mm.	Listino € Price List	Sottolama € Bolt on blade
T.65 19 - 23 ton	T65ORO160	1600	820	2	870	956	515	/	/
	T65ORO180	1800	937	2	922			/	/
	T65ORO200	2000	1054	2	975			/	/
	T65ORO220	2200	1171	2	1025			/	/
	T65ORO240	2400	1288	2	1075			/	/
	T65ORO250	2500	1346	2	1105			/	/
		<b>1</b>	<b>2</b>	<b>3</b>	<b>4</b>	<b>5</b>	<b>/</b>	<b>6</b>	<b>7 Optional</b>
<b>Materiale</b>	<b>Material</b>	S355	S355	S355	Hardox 400	S355	/	HB 400	HB 400
<b>Spessore</b>	<b>Thickness</b>	8 mm	152.4 x 16 mm	8 mm	25 mm	8 mm	/	270 x 32 mm	250 x 25 mm

Classe Class	Codice Code	L mm.	Cap. SAE Lt.	Cilindri n° Cylinders	Peso Kg. Weight	RL mm.	P mm.	Listino € Price List	Sottolama € Bolt on blade
T.66 23 - 26 ton	T66ORO160	1600	930	2	890	1030	540	/	/
	T66ORO180	1800	1066	2	945			/	/
	T66ORO200	2000	1200	2	997			/	/
	T66ORO220	2200	1334	2	1050			/	/
	T66ORO240	2400	1470	2	1105			/	/
	T66ORO250	2500	1535	2	1130			/	/
		<b>1</b>	<b>2</b>	<b>3</b>	<b>4</b>	<b>5</b>	<b>/</b>	<b>6</b>	<b>7 Optional</b>
<b>Materiale</b>	<b>Material</b>	S355	S355	S355	Hardox 400	S355	/	HB 400	HB 400
<b>Spessore</b>	<b>Thickness</b>	8 mm	152.4 x 16 mm	8 mm	25 mm	8 mm	/	270 x 32 mm	250 x 25 mm

**BENNA ORIENTABILE MODELLO OLANDA per escavatori**  
**SWIVELING BUCKET HOLLAND PROFILE for excavators**  
**GODET CURAGE INCLINABLE GRANDE CAPACITE' pour pelles**  
**CAZO ORIENTABLE MODELO "OLANDA" para excavadoras**  
**SCHWENKLÖFFEL HOLLAND PROFIL für Bagger**



Classe Class	Codice Code	L mm.	Cap. SAE Lt.	Cilindri n° Cylinders	Peso Kg. Weight	RL mm.	P mm.	Listino € Price List	Sottolama € Bolt on blade
<b>T.68</b>  <b>26 - 31 ton</b>	T68ORO160	1600	1177	2	1330	1155	625	/	/
	T68ORO180	1800	1350	2	1405			/	/
	T68ORO200	2000	1522	2	1480			/	/
	T68ORO220	2200	1694	2	1555			/	/
	T68ORO240	2400	1867	2	1230			/	/
	T68ORO250	2500	1953	2	1665			/	/
		<b>1</b>	<b>2</b>	<b>3</b>	<b>4</b>	<b>5</b>	<b>/</b>	<b>6</b>	<b>7 Optional</b>
<b>Materiale</b>	<b>Material</b>	S355	S355	S355	Hardox 400	S355	/	HB 400	HB 400
<b>Spessore</b>	<b>Thickness</b>	10 mm	177.8 x 20 mm	10 mm	30 mm	10 mm	/	300 x 35 mm	250 x 25 mm

Classe Class	Codice Code	L mm.	Cap. SAE Lt.	Cilindri n° Cylinders	Peso Kg. Weight	RL mm.	P mm.	Listino € Price List	Sottolama € Bolt on blade
<b>T.69 - T.70</b>  <b>31 - 43 ton</b>	T69ORO160	1600	1330	2	1370	1240	660	/	/
	T69ORO180	1800	1528	2	1450			/	/
	T69ORO200	2000	1725	2	1525			/	/
	T69ORO220	2200	1922	2	1605			/	/
	T69ORO240	2400	2118	2	1685			/	/
	T69ORO250	2500	2216	2	1720			/	/
		<b>1</b>	<b>2</b>	<b>3</b>	<b>4</b>	<b>5</b>	<b>/</b>	<b>6</b>	<b>7 Optional</b>
<b>Materiale</b>	<b>Material</b>	S355	S355	S355	Hardox 400	S355	/	HB 400	HB 400
<b>Spessore</b>	<b>Thickness</b>	10 mm	177.8 x 20 mm	10 mm	30 mm	10 mm	/	300 x 35 mm	250 x 25 mm